

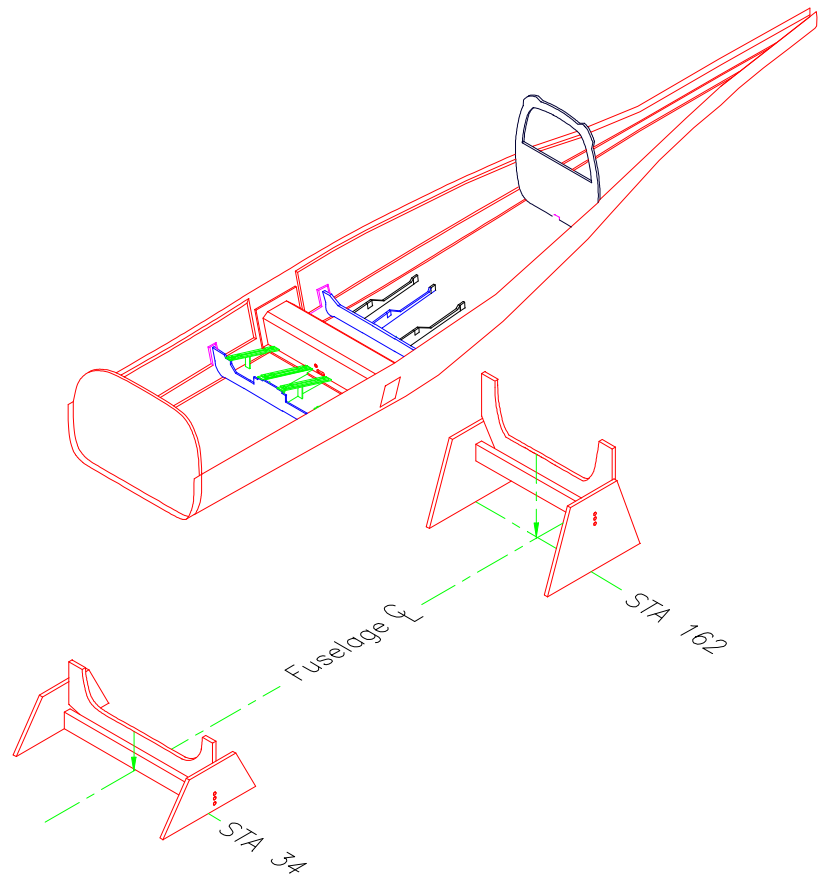
PROCEDURE 4.000

INTRODUCTION TO ASSEMBLING YOUR FUSELAGE

Now that you have your wings completed you are ready to build the lower fuselage.

The following section of the manual contains instructions to enable you to assemble the fuselage of the *Express Series 2000*. This section of the manual will take you step-by-step through all procedures necessary to secure the interior structural bulkheads to the lower fuselage, install the stick and rudder control support panels, seats and their supports. You will also bond the upper fuselage to the lower fuselage, construct the vertical tail assembly, and install windows, doors and latches.

The fuselage lower assembly has been delivered to you with the wing spar carry-through, and shear ties, are positioned by the factory. You will alter your wing assembly sawhorses to accommodate the fuselage saddles. Place the fuselage on the saddles and level the fuselage longitudinally using the waterline 40 mark on the left front side of the fuselage. Place a level on the top of the carrythrough and level the fuselage laterally. You will then complete the laminates on all installed bulkheads; install the seat supports and all brackets for the bell cranks and other parts of the control system. The center firewall support will be installed, followed by the seat assemblies. (Note, Aircraft shipped in containers may not have the bulkheads and shear ties install do to space constraints. Supplemental instructions will be provided to establish the locations of these items.)



TERMINOLOGY

The terms used in this section of the manual have been standardized as much as practical. Most of the terms used are common to aircraft construction. Others may have special meanings as applied to your **EXPRESS**.

Aft - a direction toward a point behind the aircraft.

Angle of Incidence - the angle between the wing chord line and a waterline.

Centerline - (Abbreviation = CL) in this section of the manual refers to fuselage centerline.

Chord Line - a straight line joining the arc of the leading edge of a wing with the trailing edge.

EOP - end (or edge) of part

Forward - a direction toward a point ahead of the aircraft.

Front - a part or portion of a part located forward of another part or portion of a part.

Inboard - the relative horizontal direction toward a point on the centerline of the aircraft.

Left - toward the left side of the aircraft, regardless of the observer's position

Outboard - the relative horizontal direction toward a point away from the centerline of the aircraft.

Radius - usually a verb in this manual - to round the edge of a part to a specific radius, usually 1/4", to allow bid cloth to flow smoothly around a joint.

Rear - a part or portion of a part located aft of another part or portion of a part.

Right - toward the right side of the aircraft, regardless of the observer's position.

Station - a lengthwise or longitudinal designation for identifying locations along the length of the fuselage. Abbreviated as - Sta. ##.